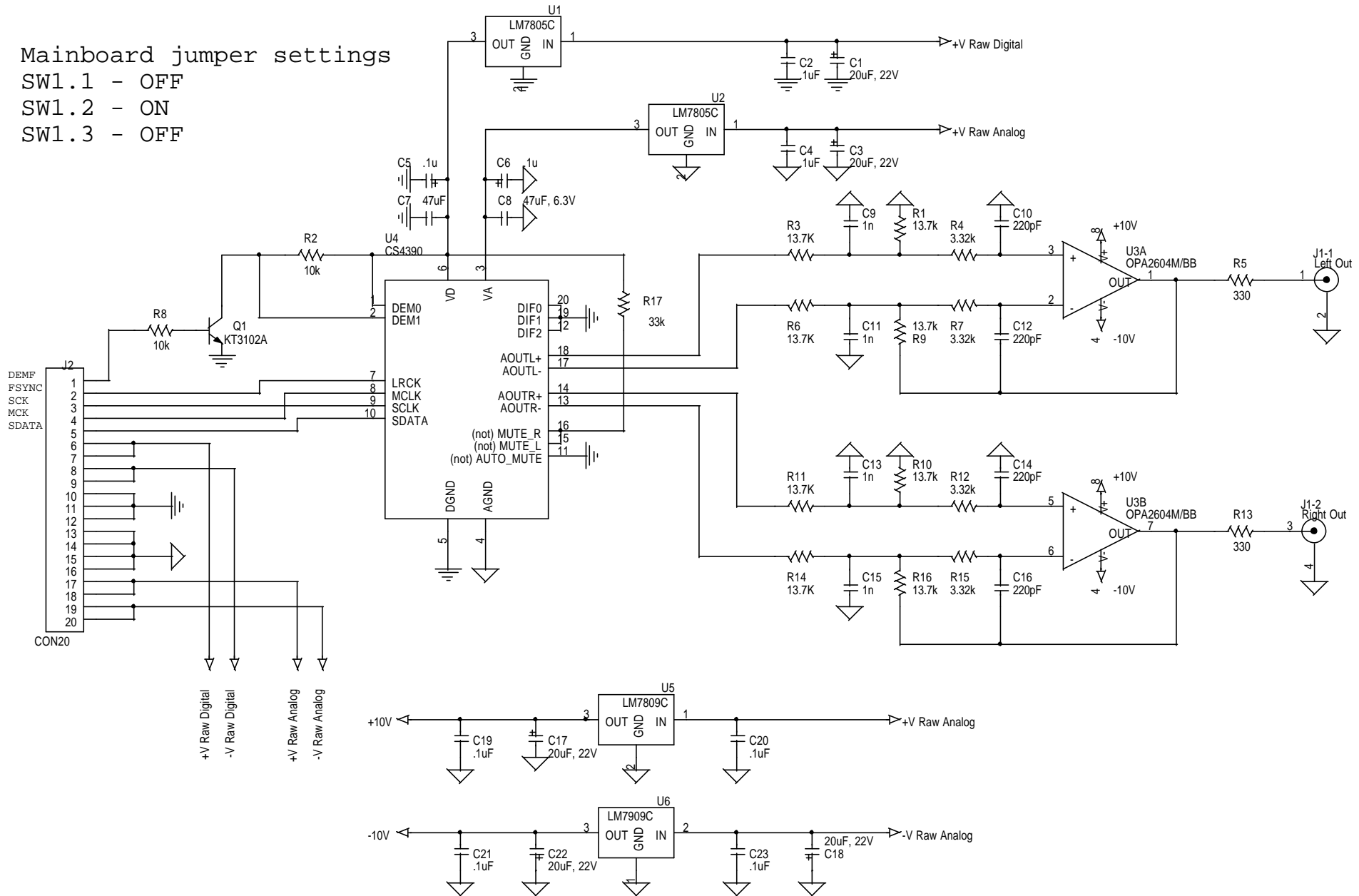


Mainboard jumper settings

- SW1.1 - OFF
- SW1.2 - ON
- SW1.3 - OFF



CS4390 DAC module for DAC-1 mainboard.
 Copyright (c) Dmitry V. Uskov, 2001
<http://u-sound.newmail.ru>
<http://u-sound.narod.ru>

Title CS4390 DAC Module For DAC mainboard version 1.0		
Size A4	Document Number	Rev 1.0
Date: Friday, October 12, 2001	Sheet 1	of 1